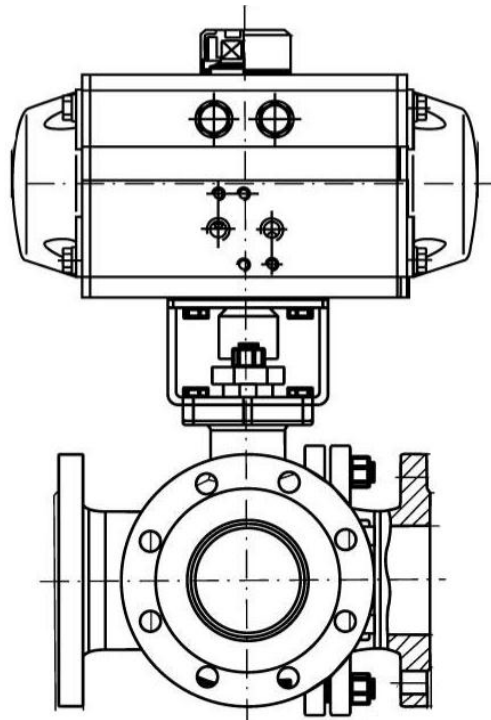


STANDARD SPECIFICATION

CHUANHU

气动三通法兰球阀

Pneumatic three-way flanged ball valve



上海川沪阀门有限公司

ShangHai Chuanhu Valve CO.,LTD

概述

三通球阀分“T”型三通球阀和“L”型三通球阀，具有结构紧凑、外型美观、密封性能好，它能实现对管道中介质流向的切换，也能使相互垂直的两个通道连通或关闭。

GENERAL

Three way ball valve include two kinds of “T” type ball and “L” type ball valve, has the advantages of compact structure, beautiful appearance, good sealing performance, it can realize the switch the flow in pipe, also can make the two mutually perpendicular communicated or closed channel.

标准规格 STANDARD SPECIFICATION

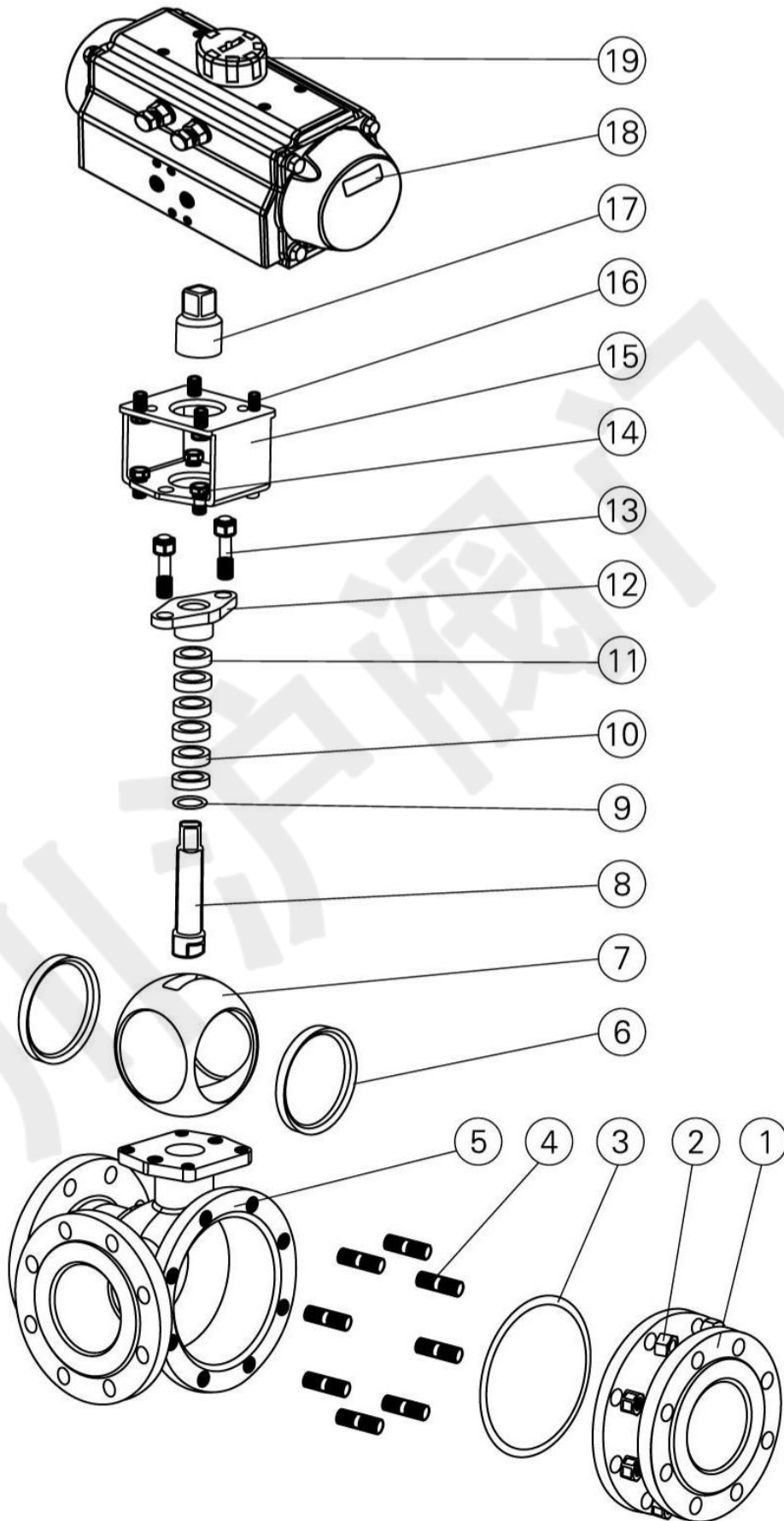
公称通径 Body size	DN15~300
公称压力 Body ratings	PN1.6,4.0,6.4,10.0; ANSI Class 150,300,600; JIS 10K,30K,40K
尺寸标准 Dimension standard	国标、美标、日标 GB, American standard, Japanese standard
阀体材质 Body material	碳钢 Carbon steel(WCB), 不锈钢 Stainless steel(CF8, CF8M, CF3, CF3M)
阀座材质 Seat material	聚四氟乙烯 (F)、对位聚苯 (PPL)、尼龙 (N)、硬质合金 (H、Y) PTFE, PPL, N, H, Y
作用方式 Mode of action	双作用、单作用 (弹簧复位) Double-acting/Single-acting type(spring reposition)
控制方式 Control	开关型、调节型 Switch type, Adjust type
附件选择 Selection of Accessories	电磁阀、定位器、限位开关、气源三联件、手动机构 Solenoid valve, Locator, Limit switch, F.R.L. COMBINATION UNIT, Manual Device

设计依据 Design Basis	GB 标准 Standard	ANSI 标准 Standard
设计标准 Design standard	G B/12237	ANSI B16.34
连接法兰尺寸 Connecting Flange Size	GB/9113. JB/T79	ANSI B16.5
试验和检验 Test & inspection	JB/T9092	API 598

※注：系列球阀结构长度及连接法兰尺寸可根据用户要求设计制造。

Note: The structural length and connecting flange size of ball valve series can be designed and manufactured as per users' requirements.

结构图和零件材质表 STRUCTURE AND MAIN MATERIAL TABLE



序号 No.	零件名称 Name of parts	材质 Material		
		C	P	R
1	右阀体 Right valve	WCB	ZGICr18Ni9Ti	ZGICr18Ni12M02Ti
2	螺母 Nut	35	1Cr18Ni9Ti	1Cr18Ni9Ti
3	垫片 Gasket	PTFE、石墨金属复合垫 Graphite metal composite pad		
4	螺栓 3CreW	35	1Cr18Ni9Ti	1Cr18Ni9Ti
5	阀体 Body	WCB	ZGICr18Ni9Ti	ZGICr18Ni12M02Ti
6	阀座 Seat	PTFE、尼龙(Nylon)、对位聚苯(PPL)、硬质合金 Hard Alloy		
7	球体 Ball	1Cr18Ni9Ti	1Cr18Ni9Ti	1Cr18Ni12M02Ti
8	阀杆 Stem	1Cr13	1Cr18Ni9Ti	1Cr18Ni12M02Ti
9	垫片 Gasket	1Cr18Ni9Ti	1Cr18Ni9Ti	1Cr18Ni12M02Ti
10	填料 Packing	PTFE、柔石墨 Flexible Graphite		
11	衬套 Bushing	PTFE 复合轴承 Composite bearings		
12	压盖 Gland	WCB	ZGICr18Ni9Ti	ZGICr18Ni12M02Ti
13	螺栓 Screw	35	1Cr18Ni9Ti	1Cr18Ni9Ti
14	螺栓 Screw	35	1Cr18Ni9Ti	1Cr18Ni9Ti
15	连接支架 Connecting Yoke	1Cr18Ni9Ti	1Cr18Ni9Ti	1Cr18Ni9Ti
16	螺栓 Screw	35	1Cr18Ni9Ti	1Cr18Ni9Ti
17	连接套 Connecting Set	1Cr18Ni9Ti	1Cr18Ni9Ti	1Cr18Ni9Ti
18	气动装置 Pneumatic Device	AT 系列、AW 系列 AT Series、AW Series		
19	位置指示器 Location Indicator	塑料 Plastic		

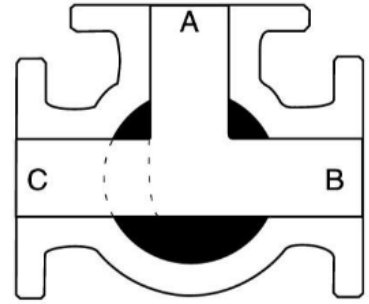
※注：系列球阀结构长度及连接法兰尺寸可根据用户要求设计制造。

Note: The structural length and connecting flange size of ball valve series can be designed and manufactured as per users' requirements.

三通球阀介质流向示意图 SKETCH OF MEDIUM FLOW-DIRECTION OF THREE-WAY BALL VALVE

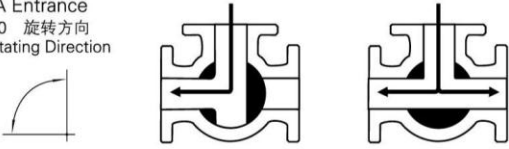
三通球阀用于换向分流或汇合流通，是具有二面或四面阀座的多通口球阀，任一通口可用作入口而无泄漏。三通既可制成 L 型通口也可制成 T 型通口。

Three-way ball valve is used for diffluence or confluent circulation with two-side or four-side valve base embodying multiple channels. All The channels can be used as entrance, with no leakage. The three-way can be made to L-shaped channel or T-shaped channel



T 型通口 T-SHAPED PASSAGE

A向入口
A Entrance
90 旋转方向
90 Rotating Direction



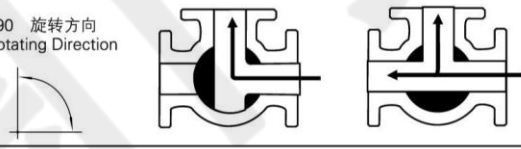
90 旋转方向
90 Rotating Direction



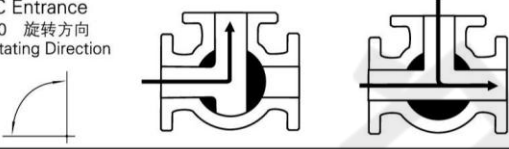
B向入口
B Entrance
90 旋转方向
90 Rotating Direction



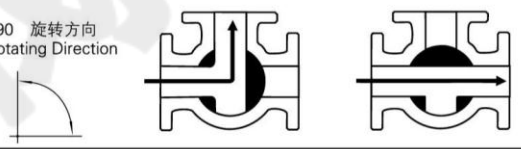
90 旋转方向
90 Rotating Direction



C向入口
C Entrance
90 旋转方向
90 Rotating Direction



90 旋转方向
90 Rotating Direction



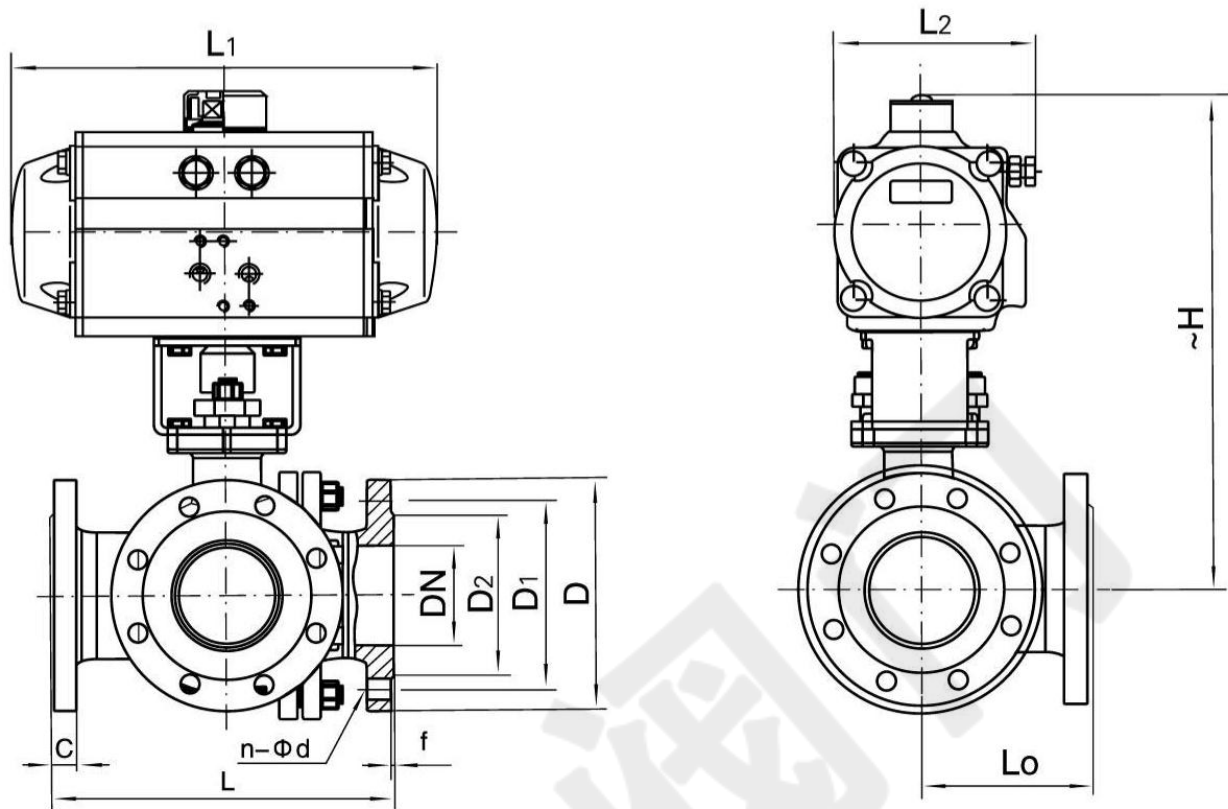
L 型通口 L-SHAPED PASSAGE

A向入口
A Entrance
90 旋转方向
90 Rotating Direction



C向、B向切换入口
Switch-over Entrance of C and B
90 旋转方向
90 Rotating Direction



主要外形及连接法兰尺寸 MAIN OUTLINE AND CONNECTING FLANGE SIZE

PN16(1.6MPa) Dimension

公称通径 Nominal diameter		外形尺寸 Outline Size					连接尺寸 Connecting size						执行器型号 Actuator Model
mm	in	L	Lo	Li	L2	—H	D	Di	D2	c	f	n-Φd	
15	1/2	150	72	141/159	71/83	204/235	95	65	46	14	2	4-14	AT050D/AT063S
20	3/4	160	80	159/211	83/95	240/252	105	75	56	16	2	4-14	AT063D/AT075S
25	1	180	90	211/248	95/107	257/265	115	85	65	16	2	4-14	AT075D/AT088S
32	1 1/4	200	100	211/248	95/107	277/312	140	100	76	18	3	4-18	AT075D/AT088S
40	1 1/2	220	110	248/269	107/123	292/317	150	110	84	18	3	4-18	AT088D/AT100S
50	2	240	120	248/345	107/152	325/347	165	125	99	20	3	4-18	AT088D/AT125S
62	2 1/2	260	130	315/409	141/172	357/389	185	145	118	20	3	4-18	AT115D/AT145S
80	3	280	140	345/409	152/172	368/400	200	160	132	20	3	8-18	AT125D/AT145S
100	4	320	160	409/550	172/215	410/498	220	180	156	22	3	8-18	AT145D/AT190S
125	5	380	190	438/600	187/240	470/538	250	210	184	22	3	8-18	AT160D/AT210S
150	6	440	220	550/633	215/262	556/591	285	240	211	24	3	8-22	AT190D/AT240S
200	8	550	260	600/730	210/330	648/687	340	295	266	24	3	12-22	AT210D/AT270S

PN2.5(2.5MPa) Dimension

公称通径 Nominal diameter		外形尺寸 Outline Size					连接尺寸 Connecting size						执行器型号 Actuator Model
mm	in	L	Lo	Li	L2	—H	D	Di	D2	c	f	n-Φd	
15	1/2	150	72	159/211	83/95	235/247	95	65	46	14	2	4-14	AT063D/AT075S
20	3/4	160	80	211/248	95/107	252/260	105	75	56	16	2	4-14	AT075D/AT088S
25	1	180	90	248/269	107/123	265/289	115	85	65	16	2	4-14	AT088D/AT100S
32	1 1/4	200	100	248/315	107/141	287/312	140	100	76	18	3	4-18	AT088D/AT115S
40	1 1/2	220	110	269/409	123/152	317/339	150	110	84	18	3	4-18	AT100D/AT125S
50	2	240	120	345/345	123/152	325/347	165	125	99	20	3	4-18	AT100D/AT125S
65	2 1/2	260	130	269/345	141/172	357/389	185	145	118	22	3	4-18	AT115D/AT145S
80	3	280	140	315/438	152/187	400/425	200	160	132	24	3	8-18	AT125D/AT160S
100	4	320	160	409/550	172/215	443/531	235	190	156	24	3	8-22	AT145D/AT190S
125	5	380	190	438/600	187/240	548/583	270	220	184	26	3	8-26	AT160D/AT210S
150	6	440	220	550/633	215/262	628/665	300	250	211	28	3	8-26	AT190D/AT240S
200	8	550	260	600/730	240/330	695/744	360	310	274	30	3	12-0 26	AT210D/AT270S

※注：系列球阀结构长度及连接法兰尺寸可根据 JB/T79 标准或用户要求设计制造。

※注：数据 XXX/XXX 分别是气动执行器双作用式 / 单作用式（弹簧复位）。

※注：根据不同阀门扭矩、使用介质适配的执行器型号可能有所不同，相关尺寸随之变化。

※注：以上执行器配置及数据均采用软密封(F、N、P)阀门，硬密封阀门的配置及数据请咨询本公司。

Note: The structural length and connecting flange size of ball valve series can be designed and manufactured as per JB/T79 standard or users' requirements

Note: Data XXX/XXX represent respectively the double-acting/single-acting type (spring reposition) of pneumatic actuator

Note: The relative sizes are subject to change responding to the difference in valve torque, medium and actuator model

Note: the above actuator configuration and data all use soft-sealed valves (F,N,P) and hard-sealed valves, or consulting us if you have more questions.

订货须知 ORDERING INFORMATION

代号 Code	材料 Material	适用温度(°C)Applicable Temperature
F	增强聚四氟乙烯 Reinforced Polytetrafluoroethylene(PTFE)	-40-180
PPL	对位聚苯 Polyparaphenylene	-40-300
N	尼龙 Nylon	-20-80
Y	硬质合金 Hard Alloy	-40-425

根据不同控制和要求可选择下列附件:

切断型附件: 单电控电磁阀、双电控制电磁阀、限位开关回讯器。

调节型附件: 电-气定位器、电气转换器。

气源处理附件: 空气过滤减压阀、气源处理三联件。

手动机构: XLHJ 系列

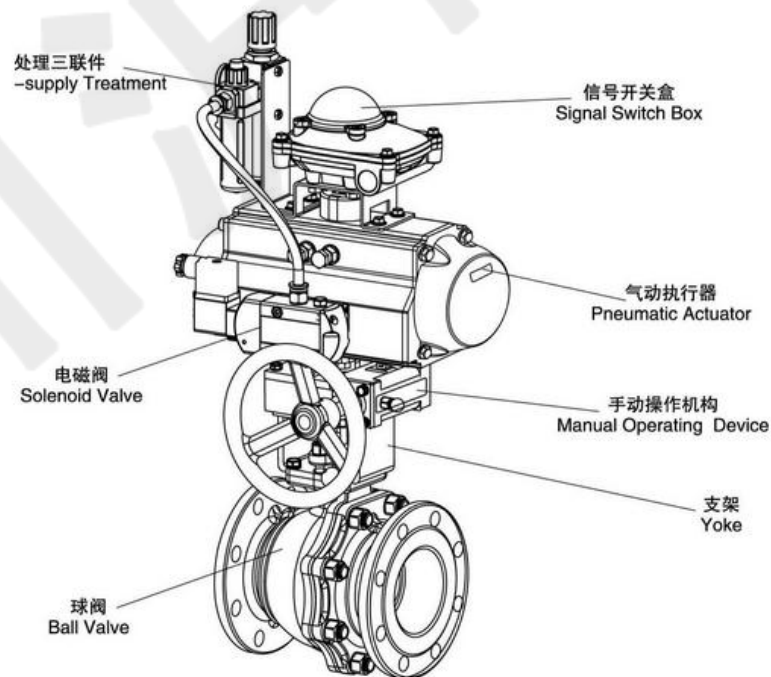
According to the different control and the request can choose the following accessories:

Shut-off Accessories: Single electrically-controlled magnetic valve. Double electrically-controlled Solenoid valve. signal saver of limit switch

Adjusting Accessories: EP/PP-positioner. electric-pneumatic converter.

Air-supply Treatment Accessories: air-filtering reducing valve. F.R.L. COMBINATION UNIT.

Manual Device: XLHJ Series





地址：上海市奉贤区金汇工业园金碧路 358 号
电话：86-021-5186 3046
传真：86-021-5186 3049
邮箱：chvalve@126.com
邮编：210404
网址：<http://www.chuanhuvalve.com>

Add: Shanghai Fengxian District Jinhui Industrial Garden Jinbi Road No. 358
Tel: 86-021-5186 3046
Fax: 86-021-5186 3049
Mail: chvalve@126.com
Code: 210404
Website: <http://www.chuanhuvalve.com>

